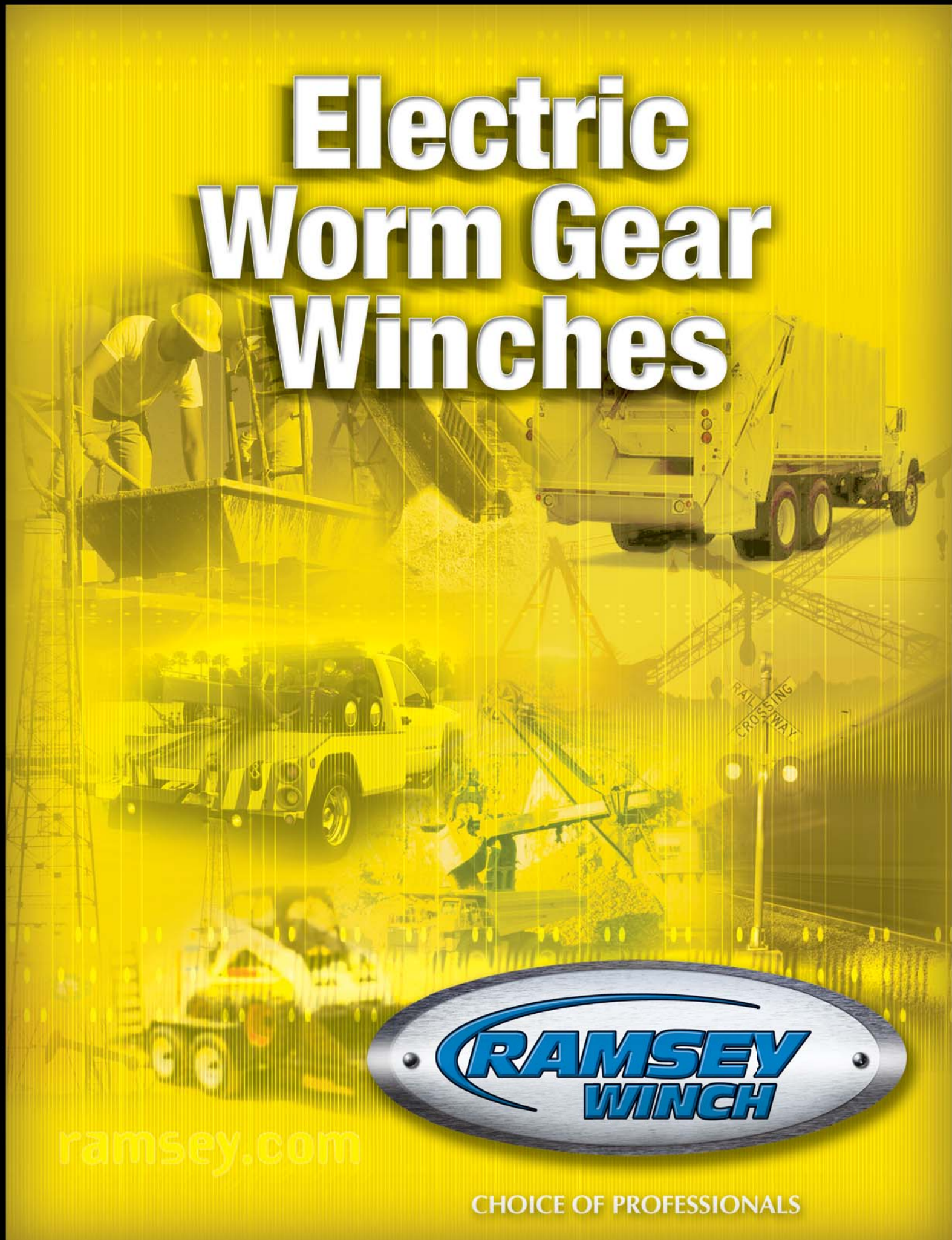


Electric Worm Gear Winches



ramsey.com

CHOICE OF PROFESSIONALS



Table of Contents

| | |
|---|-----|
| Table of contents and limited warranty excerpt..... | 2 |
| Performance data tables..... | 3 |
| DC-7/DC-7B Series winches..... | 4 |
| DC-200 Lever Style and Ram-Lok® Series winches..... | 5-6 |
| DC-300 Lever Style and Ram-Lok® Series winches..... | 6-7 |
| Options for DC Electric Worm Gear winches..... | 8 |

How to Select a Winch

1. Determine the line pull required.
2. Determine the size (diameter) and length of cable required.
3. Where will the line load occur—on the first layer of cable on the drum barrel? The second? The third? Refer to the Line Pull and Cable Capacity Per Layer charts in Ramsey performance data on page 3 to determine the proper size winch to meet these line size, length and load requirements.
4. Select the proper winch model and determine the first layer rating required (all performance charts in this brochure are based on the first layer line pull ratings. All winches are rated based on first layer).

EXAMPLE: Customer "A" has a load that requires a 4,000 lb. line pull and has selected 140 ft. of 3/8" cable as the optimum length covering most of his use.

Referring to the charts in the performance data, he notes that 140 ft. of 3/8" cable will build up to four layers on a Model DC-200R and that the winch provides 5,000 lbs. maximum allowable line pull on the fourth layer.

NOTE: For information on custom designed winches and for performance data using wire sizes other than the recommended diameters, contact the factory.

WARNING

Winches are not to be used to lift, support or otherwise transport personnel. A minimum of five (5) wraps of cable around the drum is necessary to support the rated load. Cable clamp is not designed to hold the load.

Limited Warranty Excerpt

Ramsey Winch warrants each new winch and speed reducer to be free from defects in workmanship for a period of one (1) year from date of purchase. The obligation under this warranty, statutory or otherwise, is limited to the replacement or repair at our factory of such part or parts as shall appear to us upon inspection to be defective in materials and workmanship. Complete warranty statement packed with each item.

Performance Data

Cable Size & Line Pull

| | Volts | Recommended Cable Size (INCH) (MM) | 1st Layer | | 2nd Layer | | 3rd Layer | | 4th Layer | | 5th Layer | |
|--------------------------|----------|------------------------------------|-----------------------|---------------------|-----------------------|---------------------|-----------------------|---------------------|-----------------------|---------------------|-----------------------|---------------------|
| | | | Line Pull (LBS) (KGS) | Cable Cap. (FT) (M) | Line Pull (LBS) (KGS) | Cable Cap. (FT) (M) | Line Pull (LBS) (KGS) | Cable Cap. (FT) (M) | Line Pull (LBS) (KGS) | Cable Cap. (FT) (M) | Line Pull (LBS) (KGS) | Cable Cap. (FT) (M) |
| * DC-7 DC-24-7 | 12 24 | 1/4 6 | 3000 1350 | 10 3 | 2600 1170 | 20 6 | 2200 990 | 35 10 | 2000 900 | 50 15 | 1800 810 | 70 21 |
| * DC-7B DC-24-7B | 12 24 | 1/4 6 | 3000 1350 | 10 3 | 2600 1170 | 20 6 | 2200 990 | 35 10 | 2000 900 | 50 15 | 1800 810 | 70 21 |
| * DCX-7 DC-24-X7 | 12 24 | 1/4 6 | 3000 1350 | 15 4 | 2600 1170 | 40 12 | 2200 990 | 65 19 | 2000 900 | 95 28 | 1800 810 | 125 38 |
| * DCX-7B DC-24X-7B | 12 24 | 1/4 6 | 3000 1350 | 15 4 | 2600 1170 | 40 12 | 2200 990 | 65 19 | 2000 900 | 95 28 | 1800 810 | 125 38 |
| ** DC-200 DC-24-246 | 12 24 | 3/8 9 | 8000 3620 | 25 7 | 6700 3030 | 60 18 | 5700 2580 | 95 28 | 5000 2260 | 140 42 | | |
| ** DC-246 DC-24-246 | 12 24 | 3/8 9 | 8000 3620 | 25 7 | 6700 3030 | 60 18 | 5700 2580 | 95 28 | 5000 2260 | 140 42 | | |
| ** DCY-200 DCY-24-200 | 12 24 | 3/8 9 | 8000 3620 | 15 4 | 6700 3030 | 30 9 | 5700 2580 | 55 16 | 5000 2260 | 75 22 | | |
| ** DCY-246 DCY-24-246 | 12 24 | 3/8 9 | 8000 3620 | 15 4 | 6700 3030 | 30 9 | 5700 2580 | 55 16 | 5000 2260 | 75 22 | | |
| ** DC-300 DC-24-300 | 12 24 | 3/8 9 | 9000 4070 | 25 7 | 7500 3390 | 60 18 | 6400 2890 | 95 28 | 5600 2530 | 140 42 | | |
| ** DC-346 DC-24-346 | 12 24 | 3/8 9 | 9000 4070 | 25 7 | 7500 3390 | 60 18 | 6400 2890 | 95 28 | 5600 2530 | 140 42 | | |
| ** DCY-300 DCY-24-300 | 12 24 | 3/8 9 | 9000 4070 | 15 4 | 7500 3390 | 30 9 | 6400 2890 | 55 16 | 5600 2530 | 75 22 | | |
| ** DCY-346 DCY-24-346 | 12 24 | 3/8 9 | 9000 4070 | 15 4 | 7500 3390 | 30 9 | 6400 2890 | 55 16 | 5600 2530 | 75 22 | | |

* Last layer does not conform to SAE Standard J706.

** Winch only conforms to SAE J706. For SAE qualifications of mounting angles, if applicable, consult Ramsey Engineering.

First Layer Line Speed & Amps

| Winch Model | Volts | Recommended Wire Rope Size (INCH) (MM) | First Layer | | | | | | | | | | | | | | | |
|-----------------------|----------|--|------------------------|----------|------------------------|-----------|------------------------|-----------|------------------------|-----------|------------------------|------------|------------------------|------------|------------------------|------------|------------------------|------------|
| | | | No Load | | 1000 Load | | 2000 Load | | 3000 Load | | 4000 Load | | 6000 Load | | 8000 Load | | 9000 Load | |
| | | | Line Speed (FPM) (MPM) | Amps | Line Speed (FPM) (MPM) | Amps | Line Speed (FPM) (MPM) | Amps | Line Speed (FPM) (MPM) | Amps | Line Speed (FPM) (MPM) | Amps | Line Speed (FPM) (MPM) | Amps | Line Speed (FPM) (MPM) | Amps | Line Speed (FPM) (MPM) | Amps |
| DC-7 DC-24-7 | 12 24 | 1/4 6 | 17 5.2 | 80 40 | 12 3.7 | 110 60 | 8 2.4 | 150 75 | 6.5 2.0 | 180 90 | | | | | | | | |
| DC-7B DC-24-7B | 12 24 | 1/4 6 | 17 5.2 | 80 40 | 12 3.7 | 110 60 | 8 2.4 | 150 75 | 6.5 2.0 | 180 90 | | | | | | | | |
| DCX-7 DC-24-X7 | 12 24 | 1/4 6 | 17 5.2 | 80 40 | 12 3.7 | 110 60 | 8 2.4 | 150 75 | 6.5 2.0 | 180 90 | | | | | | | | |
| DCX-7B DC-24X-7B | 12 24 | 1/4 6 | 17 5.2 | 80 40 | 12 3.7 | 110 60 | 8 2.4 | 150 75 | 6.5 2.0 | 180 90 | | | | | | | | |
| DC-200 DC-24-200 | 12 24 | 3/8 9 | 14 4.3 | 65 30 | 10 3.0 | 90 40 | 7 2.1 | 110 50 | 6 1.8 | 150 70 | 5 1.5 | 180 90 | 4 1.2 | 220 110 | 3 1.1 | 280 140 | | |
| DC-246 DC-24-246 | 12 24 | 3/8 9 | 16.5 5.0 | 70 35 | 12 3.6 | 105 50 | 8.5 2.5 | 140 70 | 7 2.1 | 170 85 | 5 1.7 | 200 100 | 4 1.3 | 270 135 | 3 1.1 | 330 165 | | |
| DCY-200 DCY-24-200 | 12 24 | 3/8 9 | 14 4.3 | 65 30 | 10 3.0 | 90 40 | 7 2.1 | 100 50 | 6 1.8 | 140 70 | 5 1.5 | 180 90 | 4 1.2 | 220 110 | 3 1.1 | 280 140 | | |
| DCY-246 DCY-24-246 | 12 24 | 3/8 9 | 16.5 5.0 | 70 35 | 12 3.6 | 105 50 | 8.5 2.5 | 140 70 | 7 2.1 | 170 85 | 5 1.7 | 200 100 | 4 1.3 | 270 135 | 3 1.1 | 330 170 | | |
| DC-300 DC-24-300 | 12 24 | 3/8 9 | 14 4.3 | 65 30 | 10 3.0 | 90 40 | 7 2.1 | 110 50 | 6 1.8 | 150 70 | 5 1.5 | 180 90 | 4 1.2 | 220 110 | 3.5 1.1 | 280 140 | 2.5 .7 | 310 155 |
| DC-346 DC-24-346 | 12 24 | 3/8 9 | 16.5 5.0 | 70 35 | 12 3.6 | 105 50 | 8.5 2.5 | 140 70 | 7 2.1 | 170 85 | 5.5 1.5 | 200 100 | 4.5 1.3 | 270 135 | 3.5 1.1 | 330 165 | 2.5 .7 | 360 180 |
| DCY-300 DCY-24-300 | 12 24 | 3/8 9 | 14 4.3 | 65 30 | 10 3.0 | 90 40 | 7 2.1 | 110 50 | 6 1.8 | 150 70 | 5 1.5 | 180 90 | 4 1.2 | 220 110 | 3.5 1.1 | 280 140 | 2.5 .7 | 310 155 |
| DCY-346 DCY-24-346 | 12 24 | 3/8 9 | 16.5 5.0 | 70 35 | 12 3.6 | 105 50 | 8.5 2.5 | 140 70 | 7 2.1 | 170 85 | 5.5 1.5 | 200 100 | 4.5 1.3 | 270 135 | 3.5 1.1 | 340 170 | 2.5 .7 | 360 180 |

Note: Ramsey winches are designed and built for heavy duty intermittent usage only.



DC-7B and DC-7 Series



- Rated Line pull 3,000lbs
- Recommended cable 1/4"
- Blocked Clutch
- Meets SAE-J706
- 12' remote included
- Made in the USA

Applications

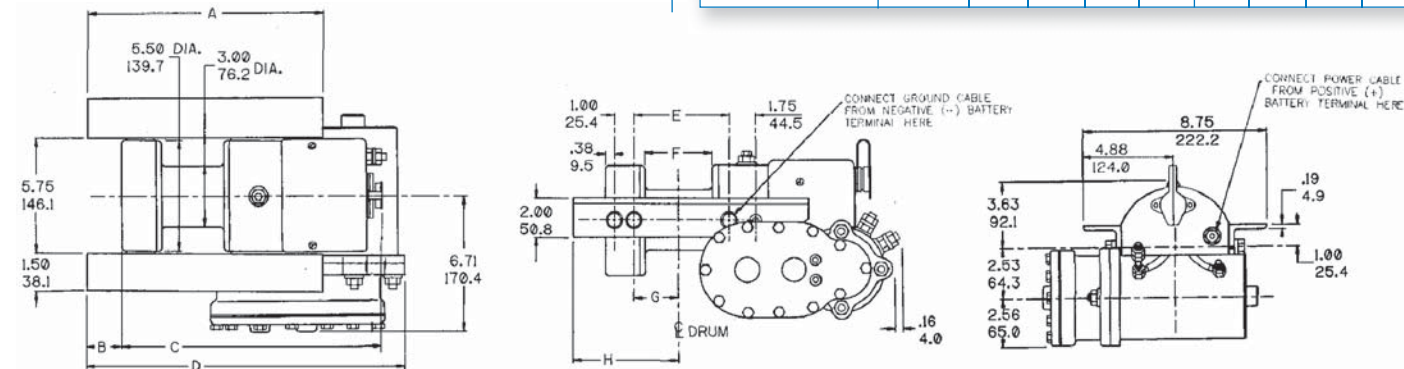
- Towing & Recovery
- Petroleum
- Forestry
- Mining
- Construction
- Refuse

Specifications

| | |
|------------------------|--|
| Rated Line Pull | 3,000 lbs..... (1,350 kgs) |
| Gear Reduction | DC-7/7B, DCX-7/7B (12 Volt).....298:1 DC-24-7/7B, DCX-24-7/7B (24 Volt)...298:1 |
| Weight | DC-7..... 70 lbs. (32 kgs) DCX-7..... 75 lbs. (34 kgs) DC-7B 60 lbs. (27 kgs) DCX-7B 65 lbs. (29 kgs) |

Winch Dimensions

| WINCH MODEL | A INCHES MM | B INCHES MM | C INCHES MM | D INCHES MM | E INCHES MM | F INCHES MM |
|-------------|----------------|----------------|----------------|----------------|----------------|----------------|
| DC-7B | 12.00 304.8 | 16.30 414.0 | 4.94 125.5 | 3.50 88.9 | 2.41 61.2 | 5.54 140.7 |
| DCX-7B | 18.00 457.2 | 20.88 530.3 | 7.88 200.2 | 6.44 163.5 | 3.88 98.6 | 8.50 215.9 |



DIMENSIONS SHOWN ARE INCHES OVER MILLIMETERS
WINCH MOUNTING CAPSCREWS MUST MEET OR EXCEED SAE GRADE 5 SPECIFICATION
*NOTE: THESE HOLE LOCATIONS MUST BE HELD WITHIN .03" (0.8 MM) OF TRUE POSITION. RECOMMENDED MOUNTING HOLE DIAMETER IS .53" (13.5 MM).



DC-200 Series



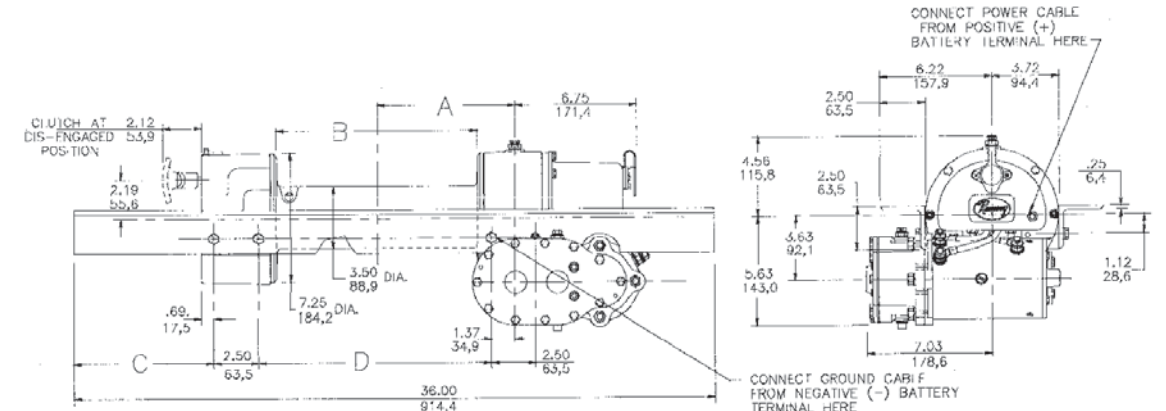
- Rated Line pull 8,000 lbs.
- Recommended cable 3/8"
- Meets SAE J706
- 12' remote included
- Made in the USA

Applications

- Towing & Recovery
- Petroleum
- Forestry
- Mining
- Construction
- Refuse

Winch Dimensions

| DC-200 WINCH MODEL | A INCHES MM | B INCHES MM | C INCHES MM | D INCHES MM |
|--------------------|----------------|----------------|----------------|----------------|
| DCY-200 | 7.78 197.6 | 11.31 287.3 | 8.94 227.0 | 13.12 333.3 |
| | 5.28 134.1 | 6.31 160.3 | 11.44 290.5 | 8.12 206.3 |



DIMENSIONS SHOWN ARE INCHES OVER MILLIMETERS
WINCH MOUNTING CAPSCREWS MUST MEET OR EXCEED SAE GRADE 5 SPECIFICATION
*NOTE: THESE HOLE LOCATIONS MUST BE HELD WITHIN .03" (0.8 MM) OF TRUE POSITION. RECOMMENDED MOUNTING HOLE DIAMETER IS .53" (13.5 MM).

DC-200 Ram-Lok and Lever Style Specifications

| | | | | |
|-------------------------------|---|-------------|--------------|--------------|
| Rated Line Pull | DC-200 Ram-Lok and lever Style..8,000 lbs. (3,630 kgs.) | | | |
| Gear Reduction | DC-200..... | DC-246..... | DCY-200..... | DCY-246..... |
| Weight (without cable) | DC-200..... | DC-246..... | DCY-200..... | DCY-246..... |

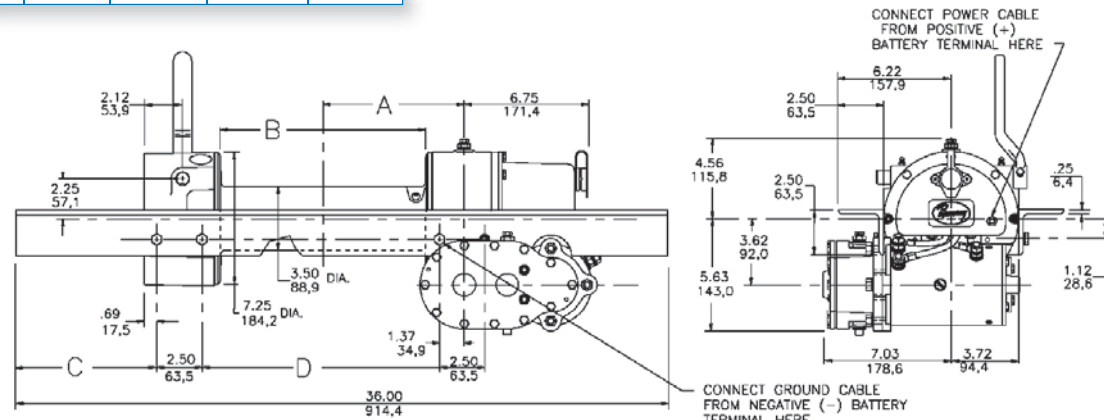
| LAYER OF CABLE | | 1 | 2 | 3 | 4 | | | | |
|---|-----------|----------------|----------------|----------------|----------------|-----------|------|-----------|------|
| DC-200 SERIES LEVER AND RAM-LOK RATED LINE PULL PER LAYER | Lbs. Kgs. | 8,000 3,630 | 6,700 3,030 | 5,700 2,580 | 5,000 2,260 | | | | |
| STANDARD DRUM CABLE CAPACITY PER LAYER 11 5/16" DRUM | Ft. M. | 25 7 | 60 18 | 95 28 | 140 42 | | | | |
| SHORT "Y" DRUM CABLE CAPACITY PER LAYER 6 5/16" DRUM | Ft. M. | 15 4 | 30 9 | 55 16 | 75 22 | | | | |
| LINE SPEED | VOLTS | NO LOAD | | 2,000 LBS | | 4,000 LBS | | 8,000 LBS | |
| | | FPM (MPM) | AMPS | FPM (MPM) | AMPS | FPM (MPM) | AMPS | FPM (MPM) | AMPS |
| DC-200/DCY-200 | 12 | 14 | 65 | 7 | 110 | 5 | 180 | 3.5 | 280 |
| DC-24-200/DCY-24-200 | 24 | (4.3) | 30 | (2.1) | 50 | (1.5) | 90 | (1.1) | 140 |
| DC-246/DCY-246 | 12 | 16.5 | 70 | 8.5 | 140 | 5.5 | 200 | 3 | 330 |
| DC-24-246/DCY-24-246 | 24 | (5) | 35 | (2.5) | 70 | (1.7) | 100 | (1.1) | 160 |



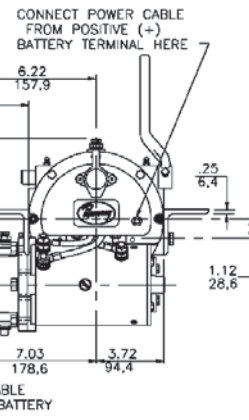
Winch Dimensions

| WINCH MODEL | A INCHES MM | B INCHES MM | C INCHES MM | D INCHES MM |
|-------------|---------------|----------------|----------------|----------------|
| DC-200 | 7.78 197.6 | 11.31 287.3 | 8.94 227.0 | 13.12 333.3 |
| DCY-200 | 5.28 134.1 | 6.31 160.3 | 11.44 290.5 | 8.12 206.3 |

DC-200 Series



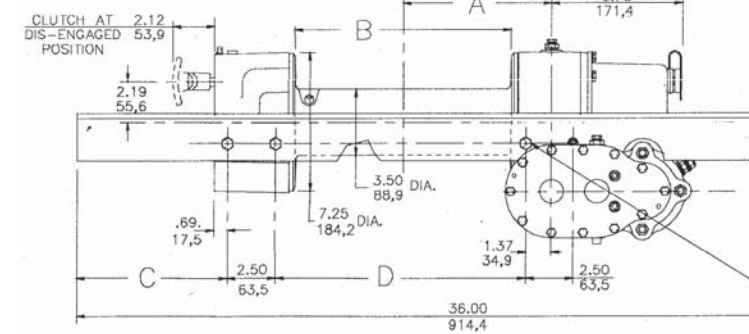
DIMENSIONS SHOWN ARE INCHES OVER MILLIMETERS
WINCH MOUNTING CAPSCREWS MUST MEET OR EXCEED SAE GRADE 5 SPECIFICATION
*NOTE: THESE HOLE LOCATIONS MUST BE HELD WITHIN .03" (0.8 MM) OF TRUE POSITION. RECOMMENDED MOUNTING HOLE DIAMETER IS .53" (13.5 MM).



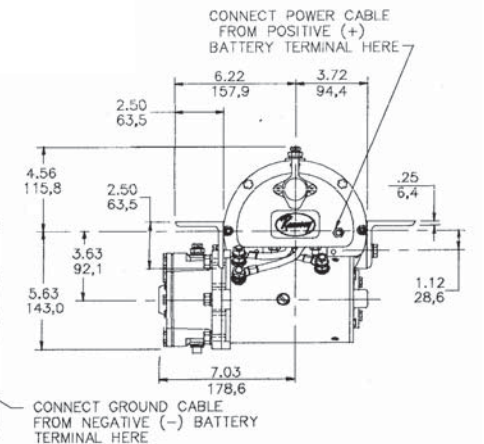
DC-300 Series

Winch Dimensions DC-300 Ram Lok Style

| WINCH MODEL | A INCHES MM | B INCHES MM | C INCHES MM | D INCHES MM |
|-------------|---------------|----------------|----------------|----------------|
| DC-300 | 7.78 197.6 | 11.31 287.3 | 8.94 227.0 | 13.12 333.3 |
| DCY-300 | 5.28 134.1 | 6.31 160.3 | 11.44 290.5 | 8.12 206.3 |

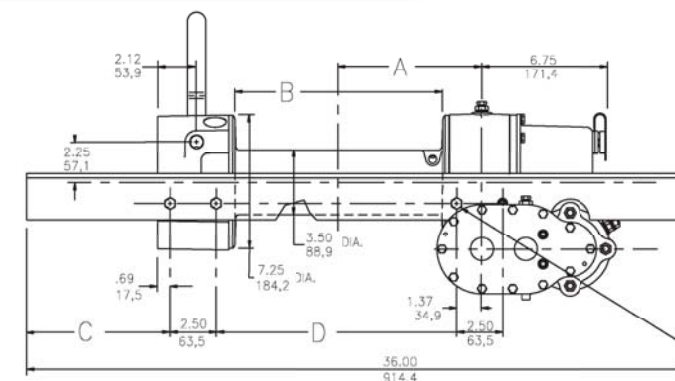


DIMENSIONS SHOWN ARE INCHES OVER MILLIMETERS
WINCH MOUNTING CAPSCREWS MUST MEET OR EXCEED SAE GRADE 5 SPECIFICATION
*NOTE: THESE HOLE LOCATIONS MUST BE HELD WITHIN .03" (0.8 MM) OF TRUE POSITION. RECOMMENDED MOUNTING HOLE DIAMETER IS .53" (13.5 MM).

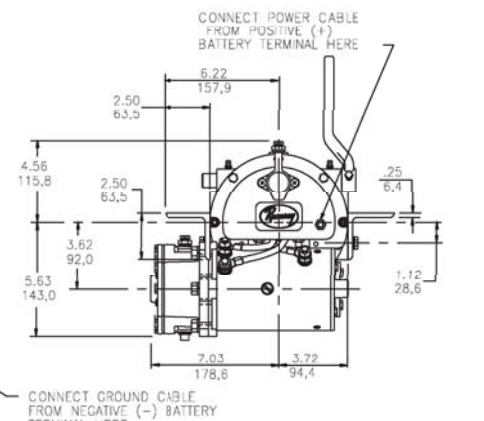


Winch Dimensions DC-300 Lever Style

| WINCH MODEL | A INCHES MM | B INCHES MM | C INCHES MM | D INCHES MM |
|-------------|---------------|----------------|----------------|----------------|
| DC-300 | 7.78 197.6 | 11.31 287.3 | 8.94 227.0 | 13.12 333.3 |
| DCY-300 | 5.28 134.1 | 6.31 160.3 | 11.44 290.5 | 8.12 206.3 |



DIMENSIONS SHOWN ARE INCHES OVER MILLIMETERS
WINCH MOUNTING CAPSCREWS MUST MEET OR EXCEED SAE GRADE 5 SPECIFICATION
*NOTE: THESE HOLE LOCATIONS MUST BE HELD WITHIN .03" (0.8 MM) OF TRUE POSITION. RECOMMENDED MOUNTING HOLE DIAMETER IS .53" (13.5 MM).



DC-300 Series

- Rated Line pull 9,000 lbs.
- Recommended cable 3/8"
- Meets SAE J706
- 12' remote included
- Made in the USA

DC-300 Ram-Lok and Lever Style Specifications

| LAYER OF CABLE | | NO LOAD | | | | 2,000 LBS | | | | 4,000 LBS | | | | 8,000 LBS | | | |
|---|-----------|----------------|----------------|----------------|----------------|-----------|------|-----------|------|-----------|------|-----------|------|-----------|------|-----------|------|
| | | 1 | 2 | 3 | 4 | FPM (MPM) | AMPS | FPM (MPM) | AMPS | FPM (MPM) | AMPS | FPM (MPM) | AMPS | FPM (MPM) | AMPS | | |
| DC-200 SERIES LEVER AND RAM LOK RATED LINE PULL PER LAYER | Lbs. Kgs. | 8,000 3,630 | 6,700 3,030 | 5,700 2,580 | 5,000 2,260 | | | | | | | | | | | | |
| STANDARD DRUM CABLE CAPACITY PER LAYER 11 5/16" DRUM | Ft. M. | 25 7 | 60 18 | 95 28 | 140 42 | | | | | | | | | | | | |
| SHORT "Y" DRUM CABLE CAPACITY PER LAYER 6 5/16" DRUM | Ft. M. | 15 4 | 30 9 | 55 16 | 75 22 | | | | | | | | | | | | |
| LINE SPEED | VOLTS | NO LOAD | | 2,000 LBS | | 4,000 LBS | | 8,000 LBS | | NO LOAD | | 2,000 LBS | | 4,000 LBS | | 8,000 LBS | |
| | | FPM (MPM) | AMPS | FPM (MPM) | AMPS | FPM (MPM) | AMPS | FPM (MPM) | AMPS | FPM (MPM) | AMPS | FPM (MPM) | AMPS | FPM (MPM) | AMPS | FPM (MPM) | AMPS |
| DC-300/DCY-300 | 12 | 14 | 65 | 7 | 110 | 5 | 180 | 2.5 | 310 | | | | | | | | |
| DC-24-300/DCY-24-300 | 24 | (4.3) | 30 | (2.1) | 50 | (1.5) | 90 | (.7) | 155 | | | | | | | | |
| DC-346/DCY-346 | 12 | 16.5 | 70 | 8.5 | 140 | 5.5 | 200 | 2.5 | 360 | | | | | | | | |
| DC-24-346/DCY-24/346 | 24 | (5) | 35 | (2.5) | 70 | (1.7) | 100 | (.7) | 180 | | | | | | | | |

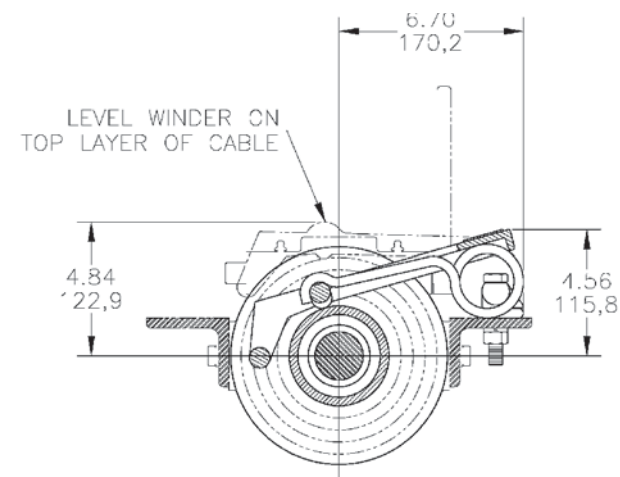
Applications

- Towing & Recovery
- Mining
- Petroleum
- Construction
- Forestry
- Refuse



| | |
|-------------------------------|--|
| Rated Line Pull | DC-300 Ram-Lok and Lever Style .9,000 lbs. (4,070 kgs.) |
| Gear Reduction | DC-300.....470:1 DC-346.....360:1 |
| Weight (without cable) | DC-300.....116 lbs. (52.6 kgs.) DC-346.....116 lbs. (52.6 kgs.) DCY-300.....105 lbs. (47.6 kgs.) DCY-346.....105 lbs. (47.6 kgs.) |

Options For Ramsey DC Electric Worm Gear Winches



Dimensions shown is Level Winder

Level Winders

| | |
|---------------|---|
| Part # 256048 | Model 1 Level Winder for use with 11 5/16" drum |
| Part # 256052 | Model 2 Level Winder for use with 6 5/16" drum |

Roller Guide and Fairleads

| | |
|---------------|--|
| Part # 256049 | Roller Guide for Model 1 Level Winder (Required for use of model 1 Level Winder on car carrier) |
| Part # 256053 | Roller Guide for Model 2 Level Winder (Required for use of model 2 Level Winder on car carrier) |
| Part # 274021 | Roller Fairlead for DCX-7/7B 6 7/16" drum |
| Part # 274007 | Roller Fairlead for DC200, DC-300 with 11 5/16" drum |
| Part # 274015 | Roller Fairlead for DCY-200, DCY-300 with 6 5/16" drum |



P.O. Box 581510 • Tulsa, OK 74158-1510 U.S.A • Phone: (918) 438-2760 • Fax: (918) 438-6688

For more information visit:

ramsey.com

