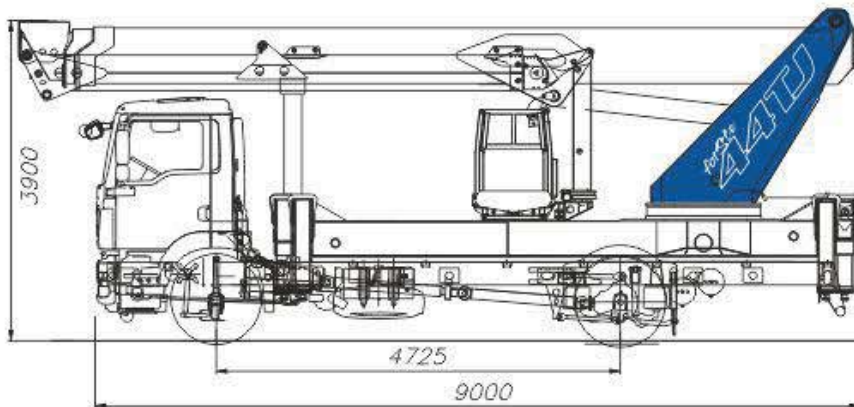
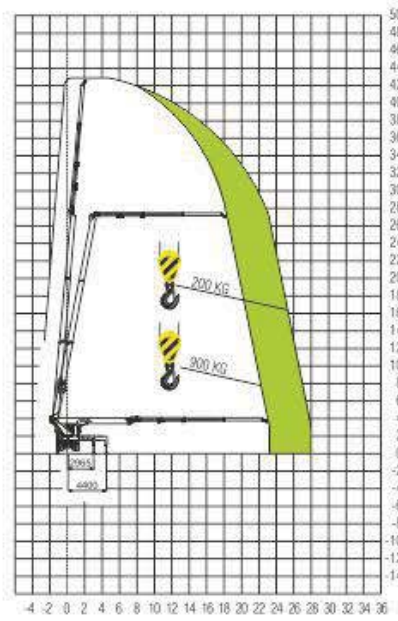
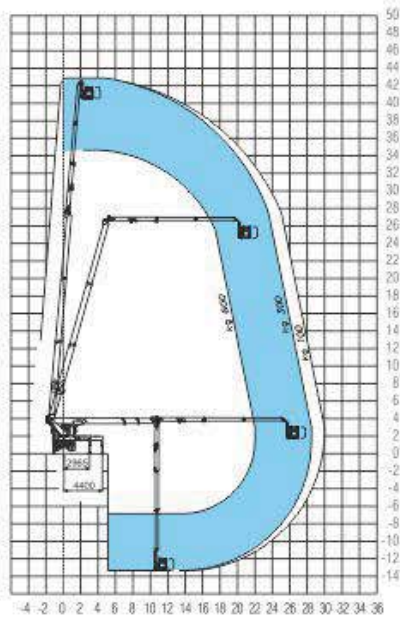


44,00 m	42,00 m	30,00 m	230x360x90x110	600 kg



18 TON.

for Stee  
44TU



900 kg

700°

aluminium

360°

electro

HE+HE