

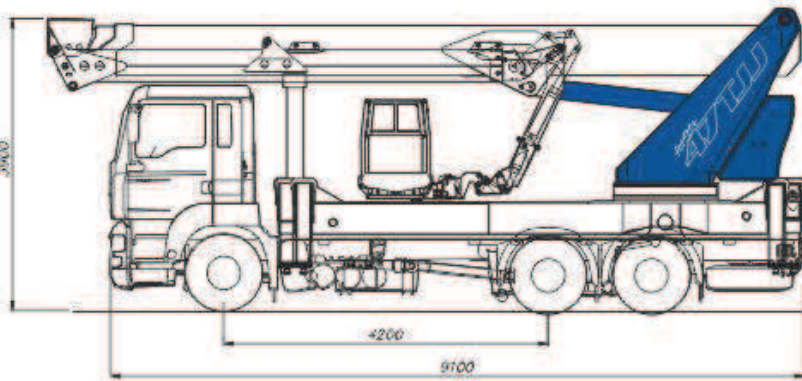
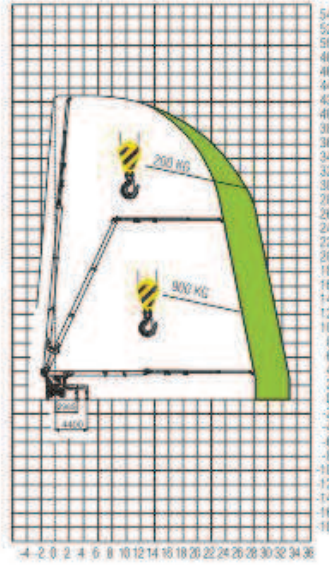
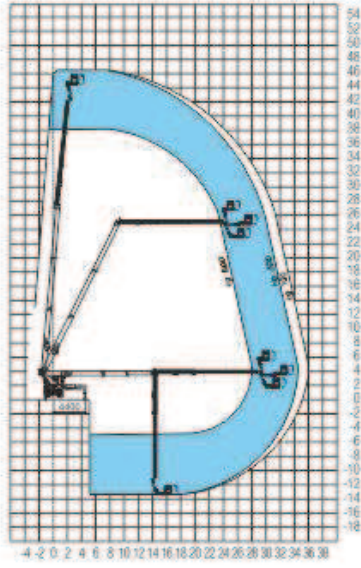
47,00 m

45,00 m

36,00 m

230x360x90x110

600 kg



26_{TON}

for Ste
47TJJ



900 kg

700°

aluminium

360°

electro

HE+HE