



20,00 m

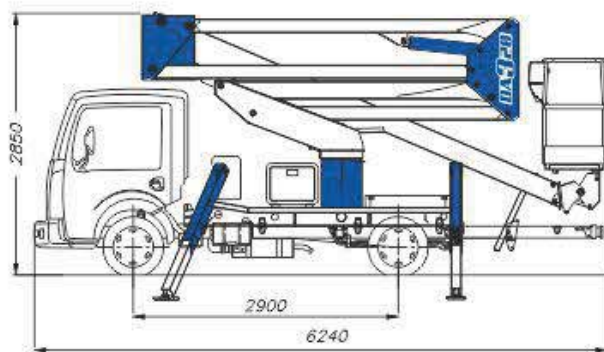
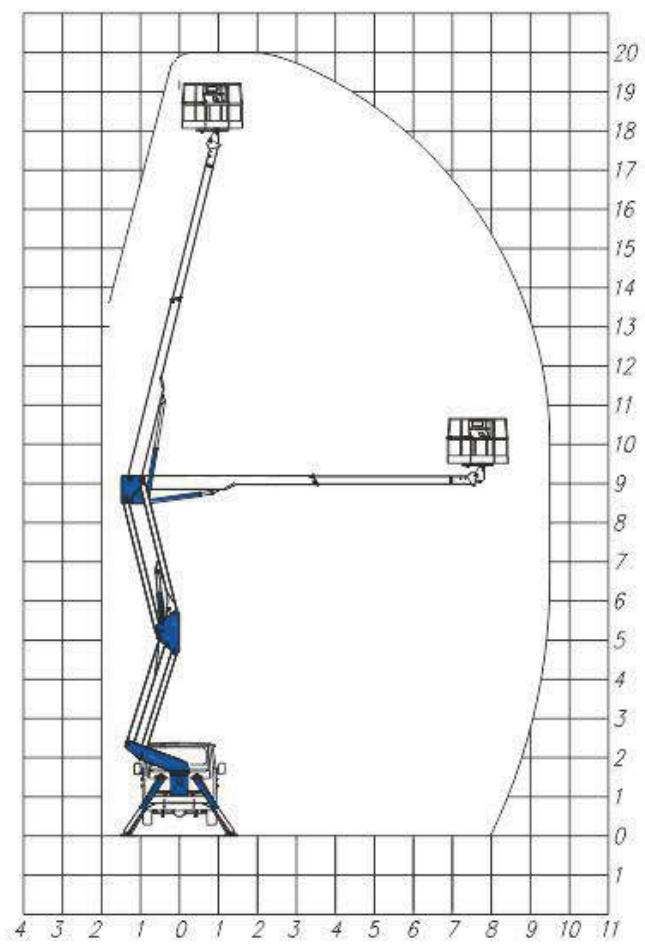
18,00 m

9,50 m

140x70x110

225 kg

∞



DA320

for 3.5t



aluminium | 90°+90° | hydraulic | A+A | 3.5 T