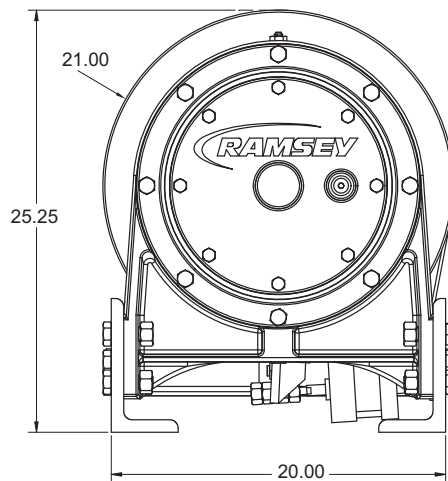
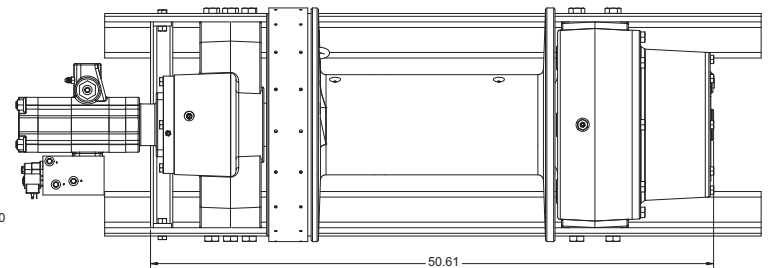
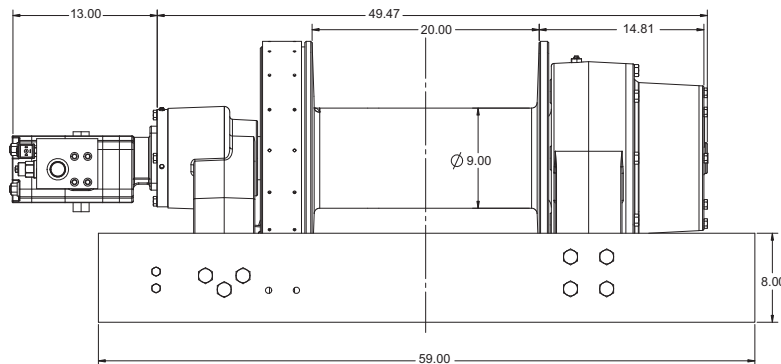
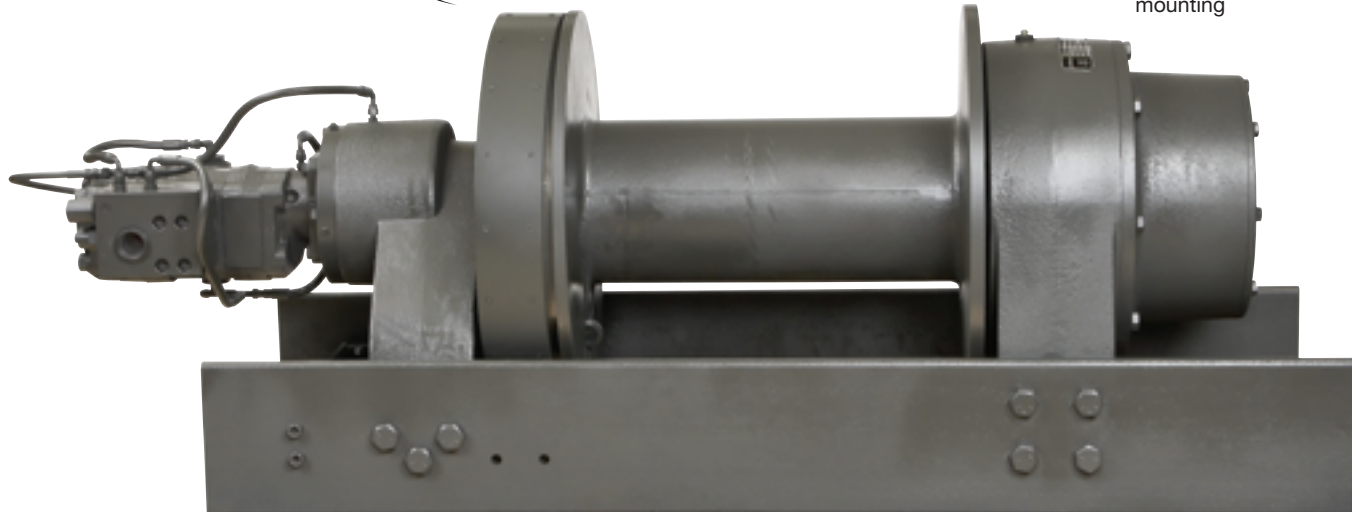


# WILDCAT 80K WINCH



Ramsey's new Wildcat Oilfield Winch designed for demanding oilfield applications

- One piece spline clutch
- 80,000 lbs. 1st layer line pull
- Highly efficient planetary gear set
- Spring applied hydraulic released brake superior load control
- Air actuated band brake
- 2 speed gear motor
- Meets SAE J706
- Oilfield proven free spool clutch
- Symmetrical design offers streamline mounting



PERFORMANCE										
APPROXIMATE WEIGHT:									1715 LBS	
WORKING PRESSURE:									2500 PSI	
CABLE DIAMETER:									1 INCH	
FLOW:									60 GPM	
LAYER	CABLE CAPACITY		LOW SPEED				HIGH SPEED			
			LINE PULL		LINE SPEED		LINE PULL		LINE SPEED	
	Ft	m	Lb	Kg	fpm	mpm	Lb	Kg	fpm	mpm
1	50	20	80000	36280	30	9	30075	13639	60	18
2	115	45	66600	30200	36	11	25038	11353	72	22
3	185	73	57100	25900	42	13	21466	9737	84	26
4	270	106	50000	22670	48	15	18797	8523	96	29
5	365	144	44400	20130	54	16	16692	7568	108	33

**⚠ WARNING**  
Winches and capstans are not intended to be used for lifting or moving of persons.

**⚠ CAUTION**  
The last 5 wraps of cable must be left on the drum to assist the cable clamp in holding the load.



From the Experts in Winching / 1600 N. Garnett Rd, Tulsa, OK 74116 / 1-800-777-2760 / info@ramsey.com