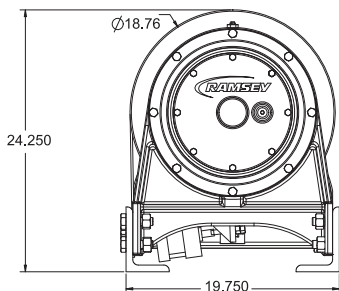
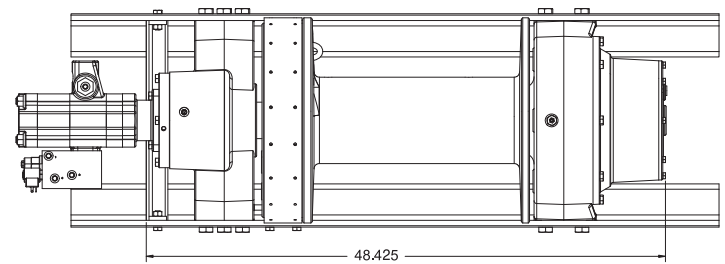
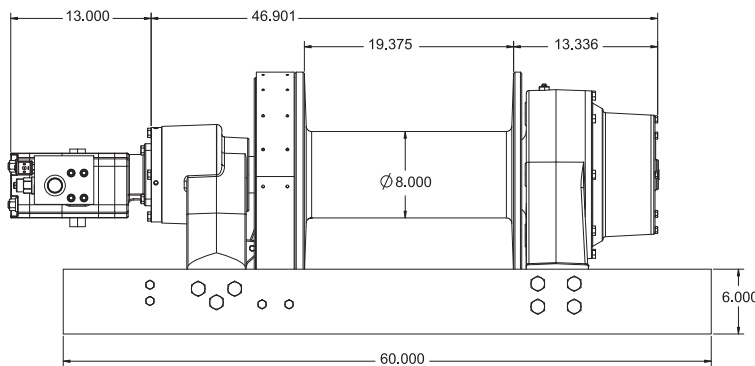
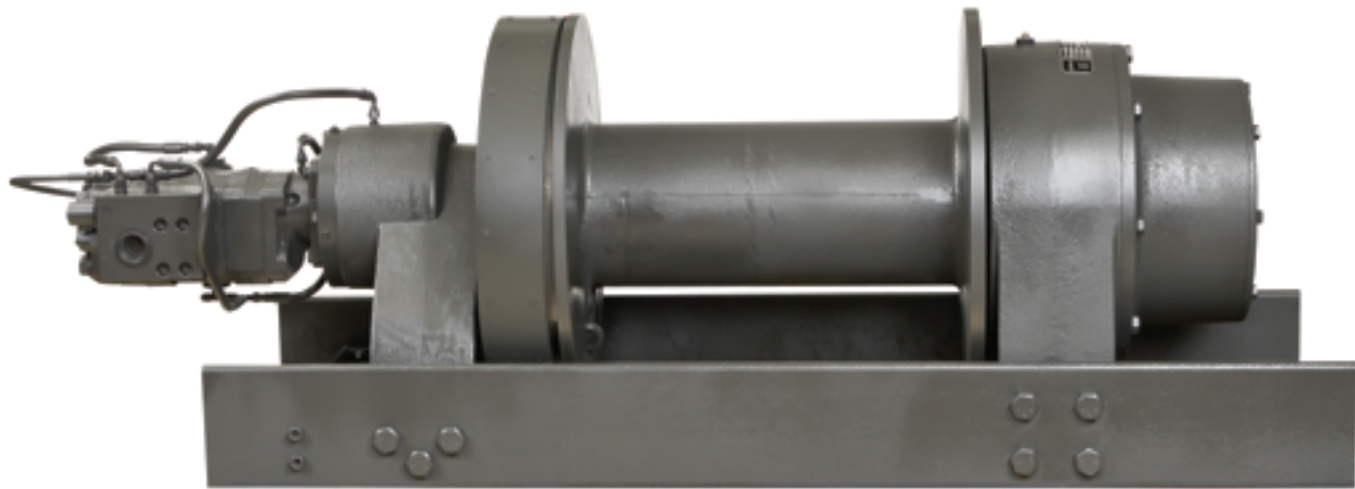


WILDCAT 60K WINCH



Ramsey's new Wildcat Oilfield Winch designed for demanding oilfield applications

- One piece spline clutch
- 60,000 lbs. 1st layer line pull
- Highly efficient planetary gear set
- Spring applied hydraulic released brake superior load control
- Air actuated band brake
- 2 speed gear motor
- Meets SAE J706
- Oilfield proven free spool clutch
- Symmetrical design offers streamline mounting



PERFORMANCE CAPACITIES										
APPROXIMATE WEIGHT:								1315 LBS		
WORKING PRESSURE:								2600 PSI		
CABLE DIAMETER:								1 INCH		
FLOW:								60 GPM		
LAYER	CABLE CAPACITY		LOW SPEED				HIGH SPEED			
	Ft	m	LINE PULL Lb	LINE PULL Kg	LINE SPEED fpm	LINE SPEED mpm	LINE PULL Lb	LINE PULL Kg	LINE SPEED fpm	LINE SPEED mpm
1	50	20	60000	27150	31	9	22556	10207	75	23
2	110	43	50000	22625	37	11	18797	8506	90	27
3	180	71	42800	19367	43	13	16090	7281	105	32
4	260	102	37500	16969	49	15	14098	6379	120	37

⚠ WARNING
Winches and capstans are not intended to be used for lifting or moving of persons.

⚠ CAUTION
The last 5 wraps of cable must be left on the drum to assist the cable clamp in holding the load.

