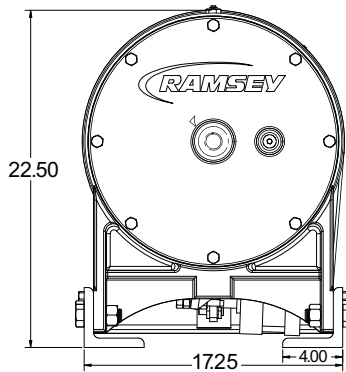
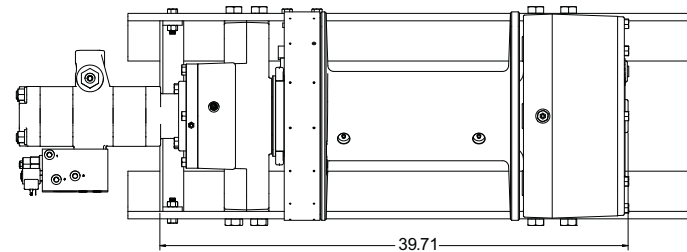
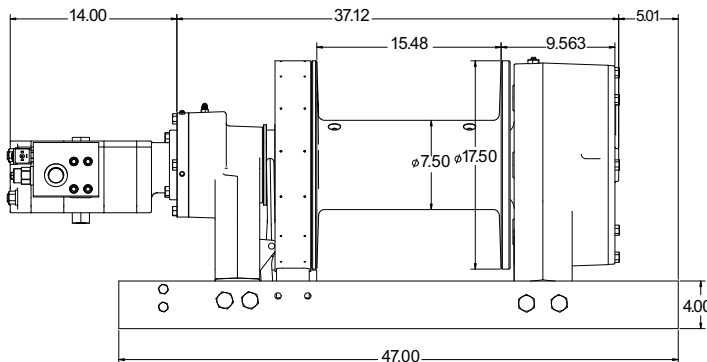
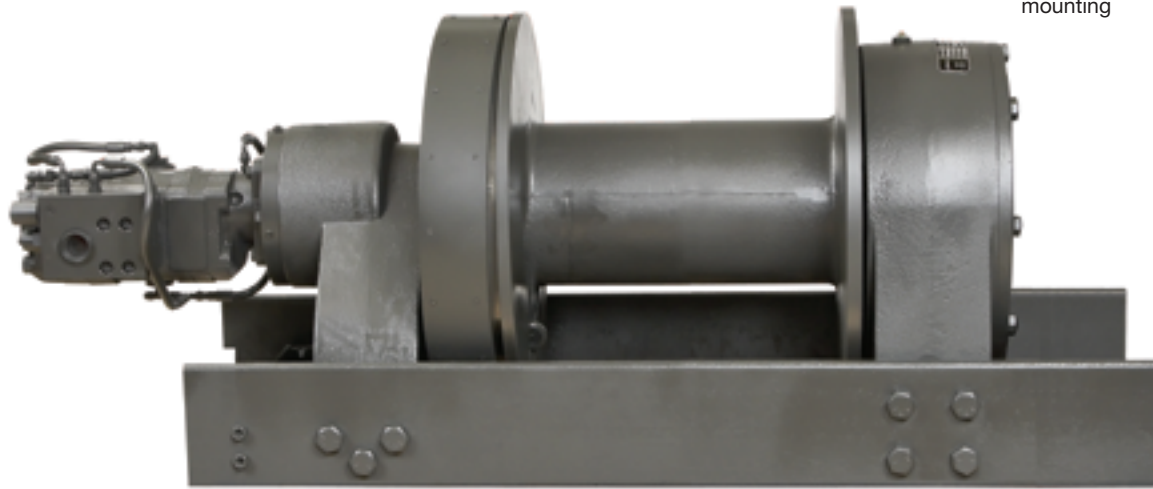


WILDCAT 50K WINCH



Ramsey's new Wildcat Oilfield Winch designed for demanding oilfield applications

- One piece spline clutch
- 50,000 lbs 1st layer pull
- Highly efficient planetary gear set
- Spring applied hydraulic released brake for superior load control
- Air actuated band brake with clutch indicator switch
- 2 speed gear motor
- Meets SAE J706
- Oilfield proven free spool clutch
- Symmetrical design offers streamline mounting



PERFORMANCE CAPACITIES										
APPROXIMATE WEIGHT:								1020 LBS		
WORKING PRESSURE:								2700 PSI		
CABLE DIAMETER:								7/8 INCH		
FLOW:								60 GPM		
LAYER	CABLE CAPACITY		LOW SPEED				HIGH SPEED			
			LINE PULL		LINE SPEED		LINE PULL		LINE SPEED	
	Ft	m	Lb	Kg	fpm	mpm	Lb	Kg	fpm	mpm
1	30	9	50000	22670	41	12.4	25000	11330	82	24.9
2	75	22	41300	18730	49	14.8	20600	9340	98	29.7
3	125	38	35200	15960	56	17	17600	7980	113	34.3
4	130	54	30700	13920	64	19.4	15300	6930	129	39.2
5	245	74	27200	12330	72	21.8	13600	6160	145	44

⚠ WARNING
Winches and capstans are not intended to be used for lifting or moving of persons.

⚠ CAUTION
The last 5 wraps of cable must be left on the drum to assist the cable clamp in holding the load.



From the Experts in Winching / 1600 N. Garnett Rd, Tulsa, OK 74116 / 1-800-777-2760 / info@ramsey.com