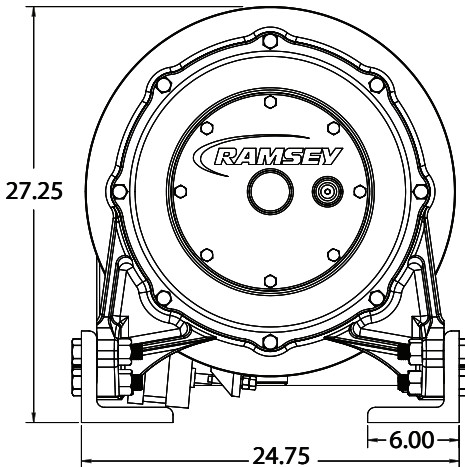
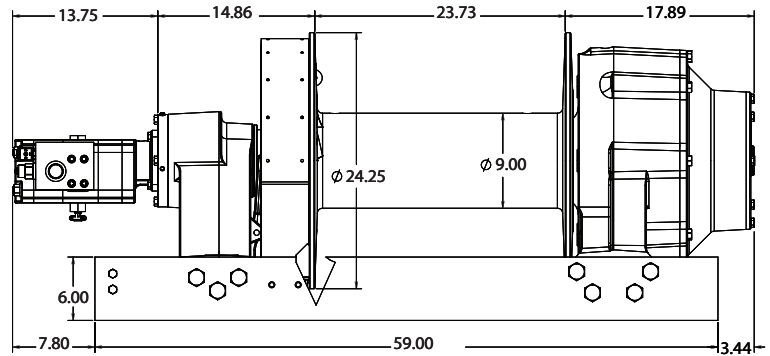
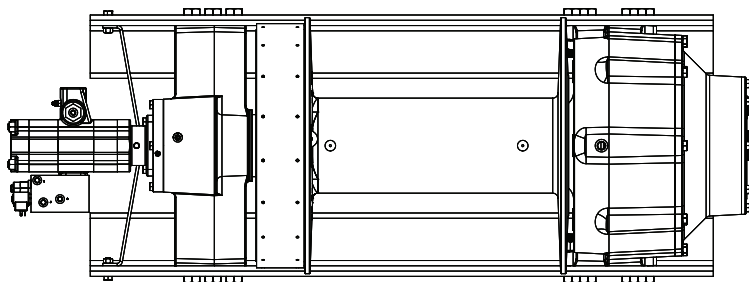
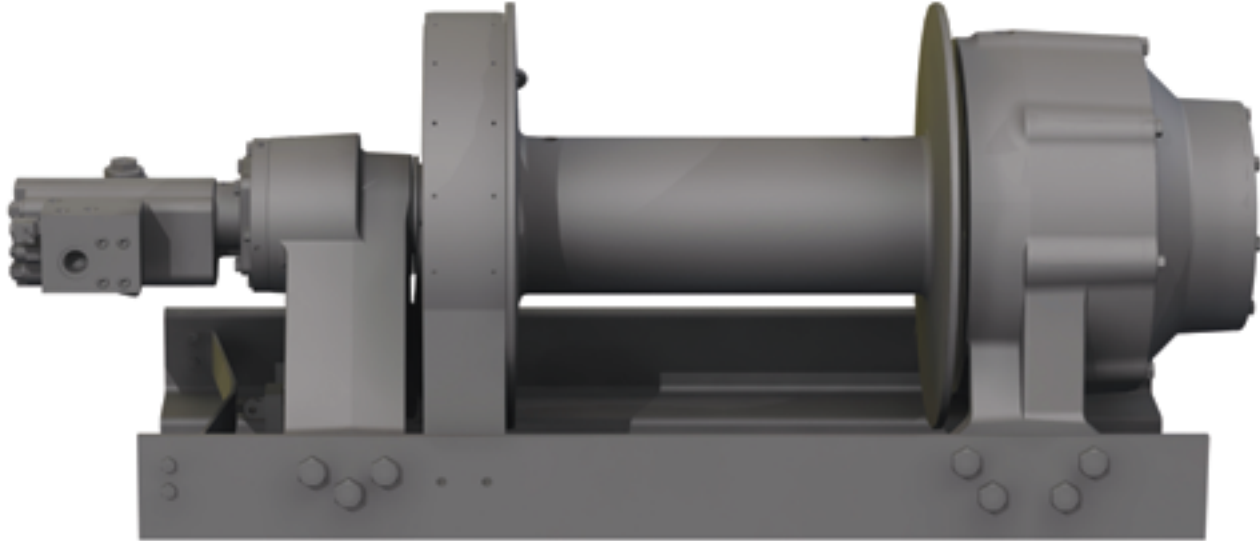


# WILDCAT 100K WINCH



Ramsey's new Wildcat Oilfield Winch designed for demanding oilfield applications

- One piece spline clutch
- 100,000 lbs. 1st layer line pull
- Highly efficient planetary gear set
- Spring applied hydraulic released brake superior load control
- Air actuated band brake
- 2 speed gear motor
- Meets SAE J706
- Oilfield proven free spool clutch
- Symmetrical design offers streamline mounting



PERFORMANCE										
APPROXIMATE WEIGHT:									2200LBS	
WORKING PRESSURE:									2600 PSI	
CABLE DIAMETER:									1 1/8 INCH	
FLOW:									60 GPM	
LAYER	CABLE CAPACITY		LOW SPEED				HIGH SPEED			
			LINE PULL		LINE SPEED		LINE PULL		LINE SPEED	
	Ft	m	Lb	Kg	fpm	mpm	Lb	Kg	fpm	mpm
1	45	13	100000	45350	21	6.3	42800	19410	49	14.8
2	105	32	81800	37100	25	7.6	35000	15870	60	18.2
3	180	54	69200	31380	30	9.1	29600	13420	71	21.5
4	260	79	60000	27210	35	10.6	25700	11650	82	24.9
5	355	108	52900	23990	40	12.1	22600	10250	93	28.2

**⚠ WARNING**  
Winches and capstans are not intended to be used for lifting or moving of persons.

**⚠ CAUTION**  
The last 5 wraps of cable must be left on the drum to assist the cable clamp in holding the load.

